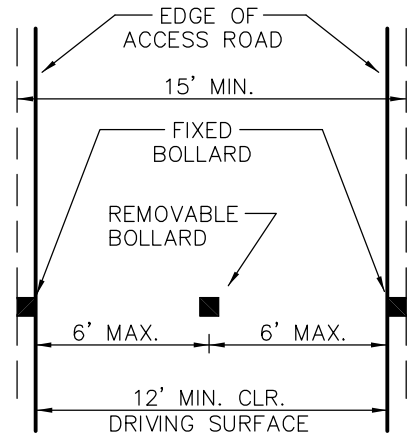
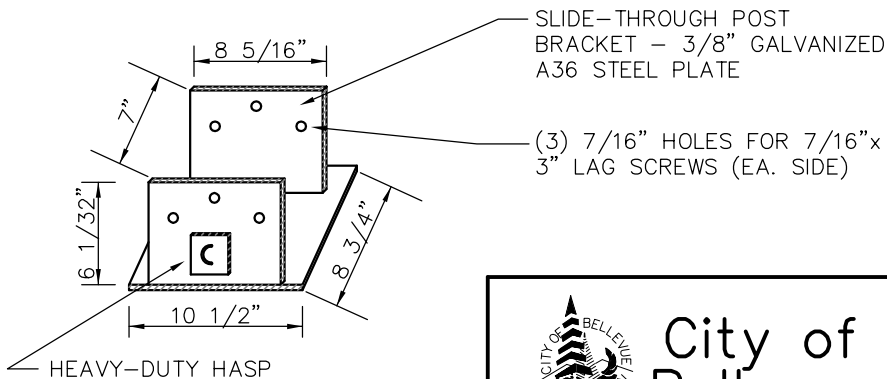
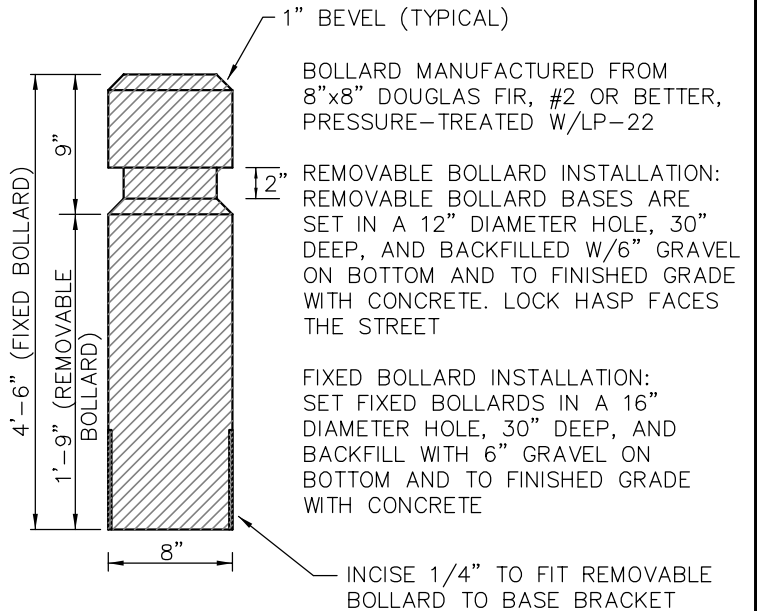
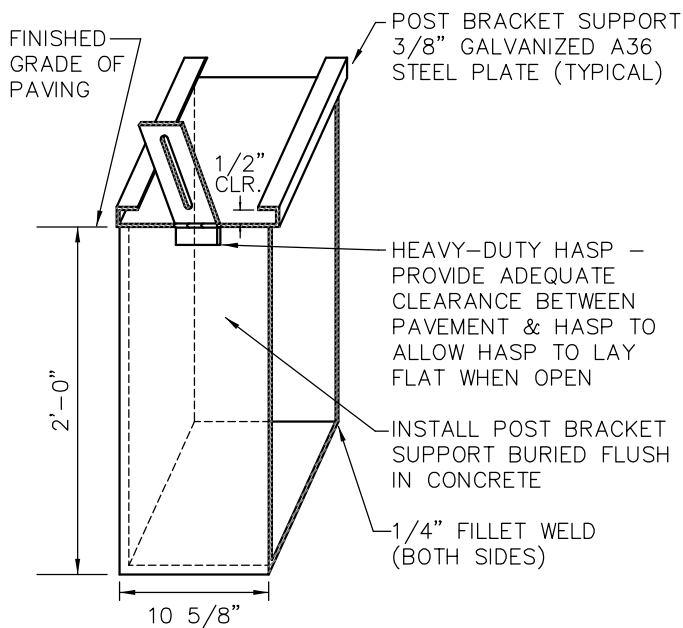


**GATE PLACEMENT**



**BOLLARD PLACEMENT**



**City of  
Bellevue**

**STORM AND SURFACE  
WATER UTILITY**

TITLE

GATE/BOLLARD PLACEMENT