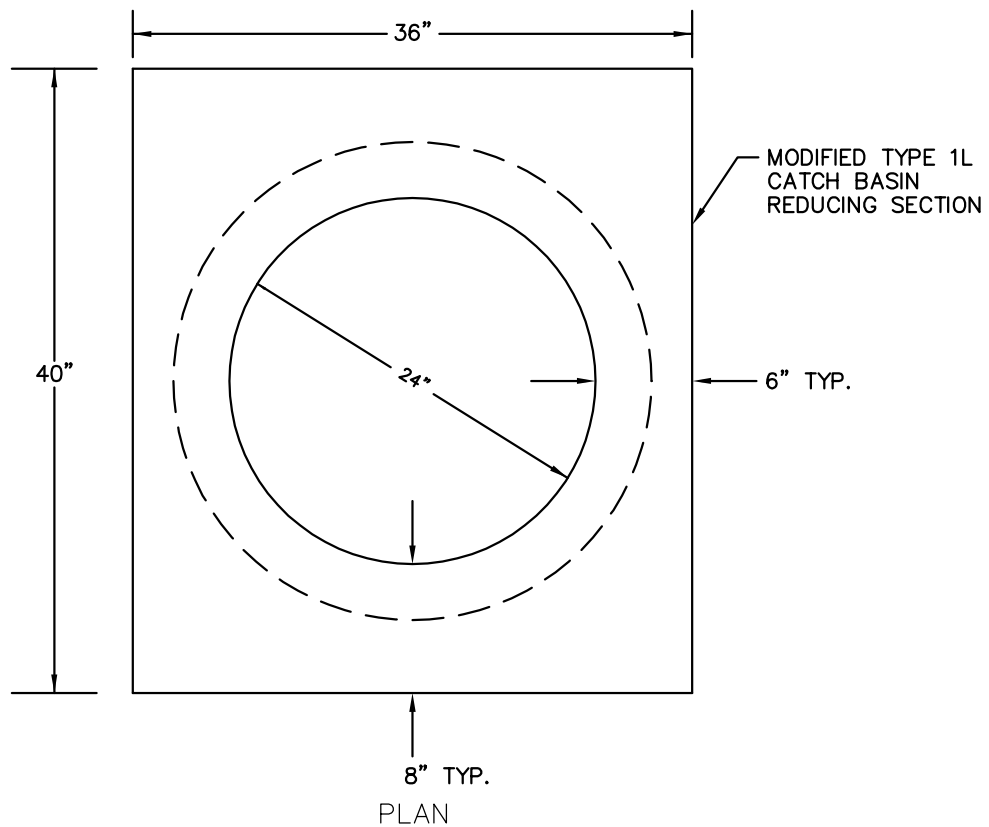


SECTION



NOTES:

1. ITEMS SHOWN SHALL BE PRE-CAST,
2. APPLY NON-SHRINK GROUT TO INSIDE AND OUTSIDE OF ALL JOINTS, RISERS, RINGS AND FRAMES.



**City of
Bellevue**

STORM AND SURFACE
WATER UTILITY

TITLE

CONVERSION RISER FOR
CATCH BASIN TYPE 1-L