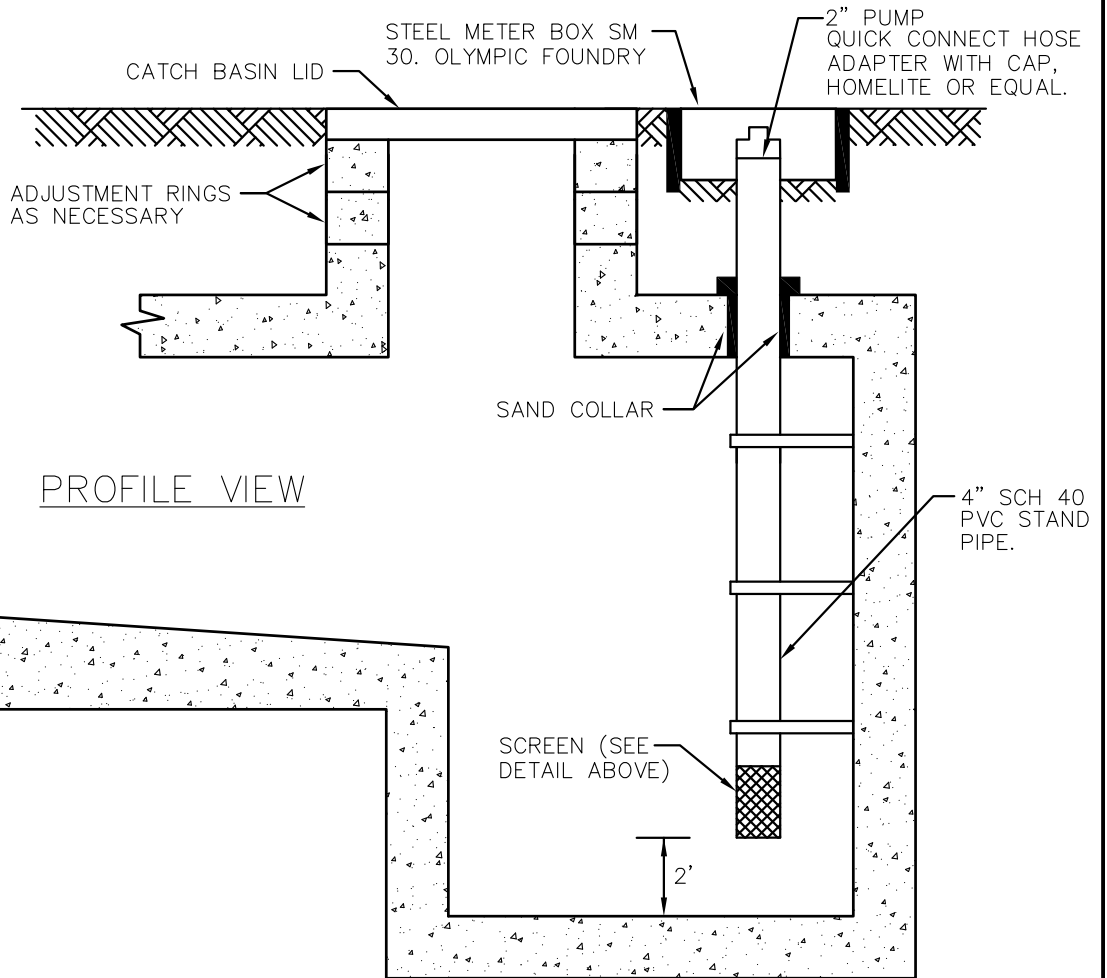
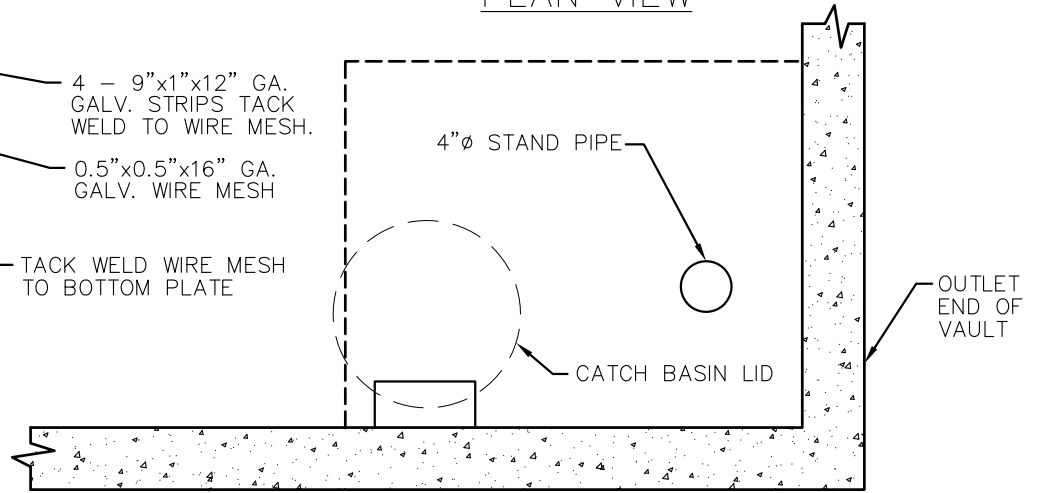


SCREEN

NOTE:
ATTACH SCREEN TO
CMP CROSS W/ 6 1"
GALVANIZED METAL
SCREWS-2 PER STRAP,
OR USE STAINLESS
STEEL PIPE CLAMP

PLAN VIEW



PROFILE VIEW

NOTE:
TO BE USED ONLY WHEN
ALLOWED BY THE CITY



City of
Bellevue

STORM AND SURFACE
WATER UTILITY

TITLE

SUMP WITH RISER PIPE