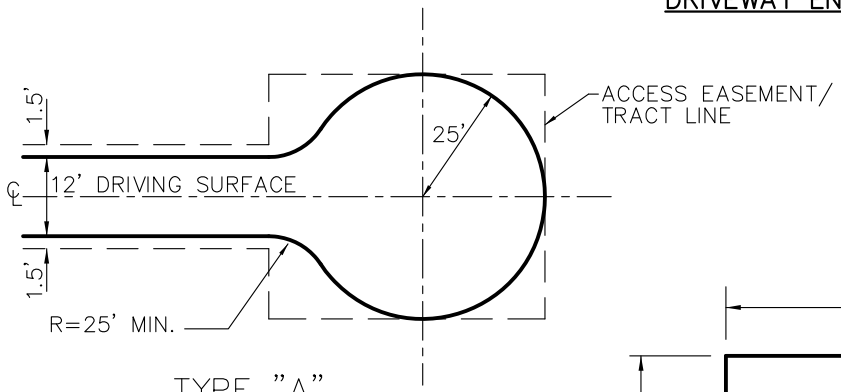
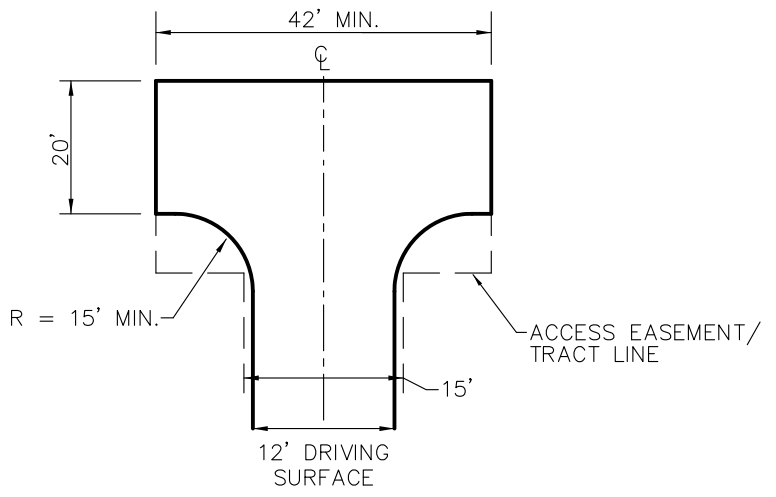


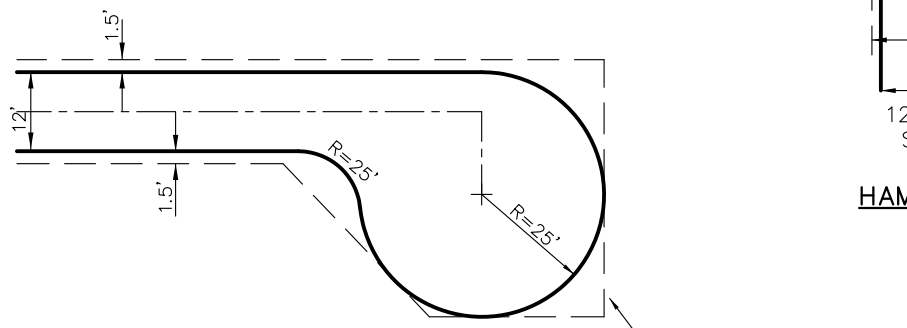
DRIVEWAY ENTRANCE



TYPE "A" TURNAROUND



HAMMERHEAD



TYPE "B" TURNAROUND

	<p>City of Bellevue</p>	<p>STORM AND SURFACE WATER UTILITY</p>
<p>TITLE</p> <p>DRAINAGE FACILITY MAINTENANCE ACCESS</p>		