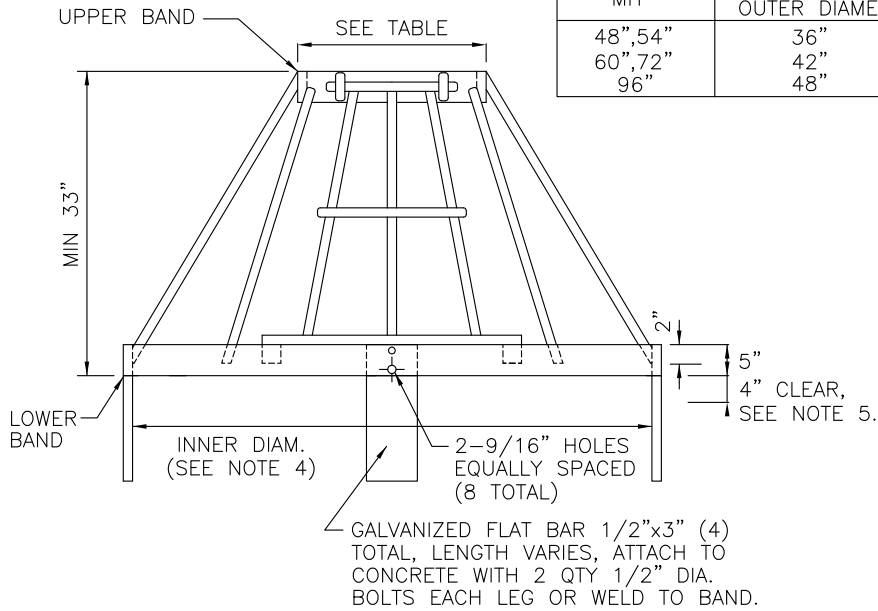
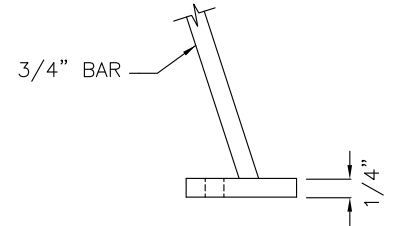
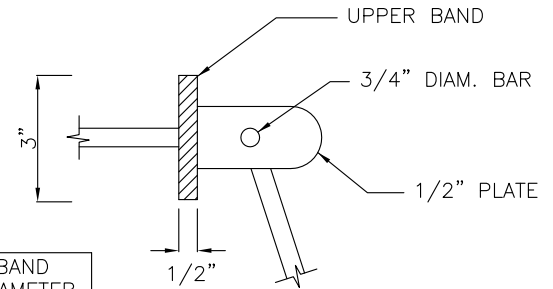


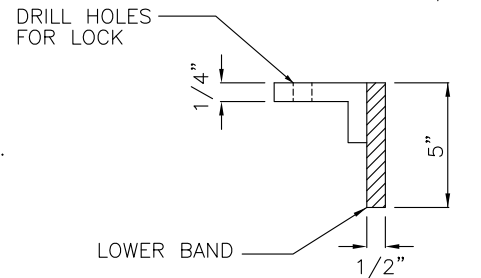
FLAT BAR
LEGS (4) TOTAL

PLAN

MH	UPPER BAND OUTER DIAMETER
48",54"	36"
60",72"	42"
96"	48"



ELEVATION



ENTRY GATE DETAIL

NOTES:

1. ALL STEEL IN PLATES, BARS AND BANDS SHALL CONFORM TO THE REQUIREMENTS OF ASTM A36.
2. STEEL DEBRIS CAGE SHALL BE HOT-DIP GALVANIZED IN ACCORDANCE WITH ASTM A123 (AASHTO M111).
3. ALUMINUM IS AN OPTIONAL CAGE MATERIAL AND MUST BE BOLTED TO THE CONCRETE STRUCTURE.
4. LOWER BAND DIMENSIONS TO MATCH STRUCTURE.
5. PROVIDE 4" CLEARANCE BETWEEN LOWER BAND AND THE TOP OF THE CONCRETE STRUCTURE.



City of
Bellevue

STORM AND SURFACE
WATER UTILITY

TITLE

DEBRIS CAGE