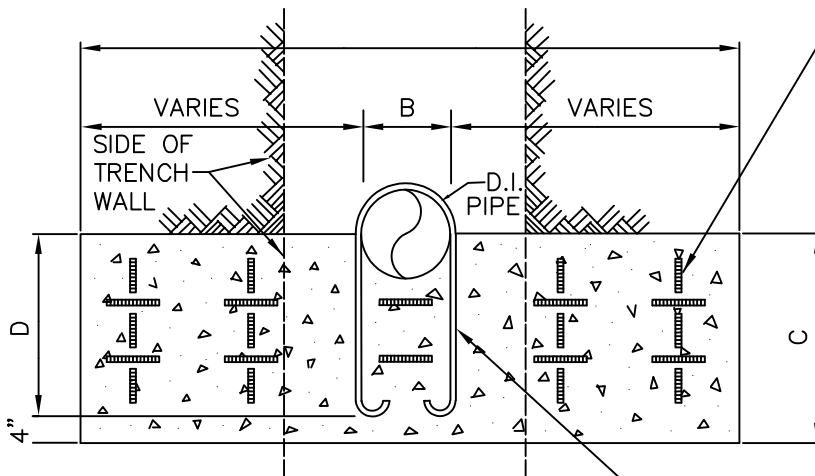


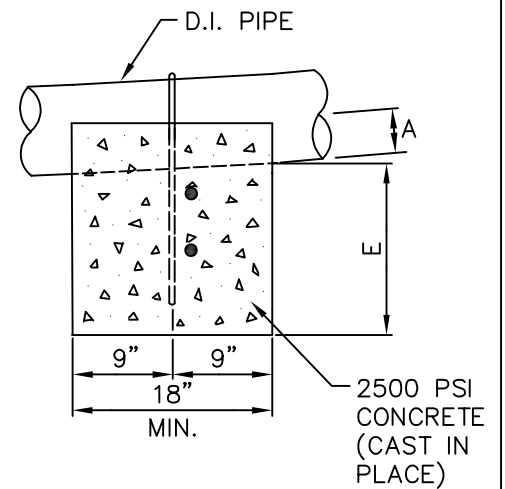
PIPE SIZE	DIMENSIONS (INCHES)				
	A	B	C	D	E
4"	2.4	4.8	17	13	14.6
6"	3.5	6.9	18	14	14.5
8"	4.5	9.1	19	15	14.5
10"	5.6	11.1	20	16	14.4
12"	6.6	13.2	21	17	14.4
14"	7.7	15.3	22	18	14.3
16"	8.7	17.4	23	19	14.3
18"	9.8	19.5	24	20	14.2

WIDTH OF TRENCH PLUS 36"

SINGLE MAT #4'S @ 12" O.C.
BW - 3" COVER ALL WAYS



PIPE CLAMP AND J-BOLT OR ALL-THREAD
WITH NUTS AND WASHERS PER DETAIL W-5



2500 PSI
CONCRETE
(CAST IN
PLACE)

SLOPES > 20% - PROVIDE CONCRETE SLOPE
ANCHORS (20' TO 25'
ON CNTR.)



City of
Bellevue

WATER UTILITY

TITLE

CONCRETE SLOPE ANCHOR DETAIL