

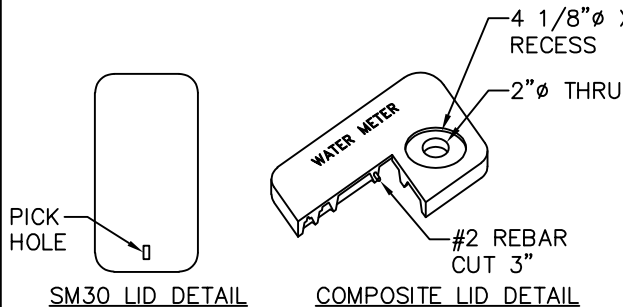
### HORIZONTAL METER SETTER INSTALLATION

- (A) EPOXY OR NYLON COATED HIGH TENSILE D.I. SERVICE SADDLE W/ STAINLESS STEEL STRAP AND EPOXY COATED BOSS, 1" AWWA TAPER (CC) TAP, FORD FC101 OR APPROVED EQUAL, SIZE AS REQUIRED.
- (B) BALL CORPORATION STOP, 1" AWWA TAPER (CC) INLET BY 1" PACK JOINT (COMPRESSION FITTING) FOR COPPER OUTLET, FORD FB1000-4-NL, MUELLER NO. P-25008N, OR APPROVED EQUAL.
- (C) 1" COPPER TUBING, TYPE K.
- (D) COUPLING, 1" MALE IRON PIPE THREAD BY 1" PACK JOINT (COMPRESSION FITTING) FOR COPPER, FORD C84-44-NL, MUELLER NO. P-15428N, OR APPROVED EQUAL.
- (E) 1" BRASS AND COPPER METER SETTER WITH HORIZONTAL INLET AND HORIZONTAL OUTLET, DOUBLE (DUAL) PURPOSE COUPLING INLET AND OUTLET, AND ANGLE BALL VALVES WITH PADLOCK WINGS ON BOTH INLET AND OUTLET. FORD VBB74-12W-11-44-NL, MUELLER 1" NO. 390B2404----00N WITH MULTIPURPOSE CONNECTION NO. H-14222, A.Y. MCDONALD 20-412WDD44, OR APPROVED EQUAL.
- (F) METER BOX IN LANDSCAPING: CARSON 1527-18 BCF BOX. COVER SHALL BE COMPOSITE MATERIAL, MARKED "WATER METER", WITH 2" AMR RECESS (CARSON, FIBRELYTE FL1527, OR NICOR B65).

METER BOX IN SIDEWALKS AND AREAS WITH VEHICULAR TRAFFIC: OLYMPIC FOUNDRY SM30 BOX AND COVER.

**NOTES:**

1. SERVICE LINE SHALL BE PERPENDICULAR TO THE WATERMAIN, UNLESS OTHERWISE APPROVED BY THE ENGINEER.
2. SERVICE SADDLE INSTALLED AT CONTRACTOR'S OPTION ON CLASS 52 OR THICKER D.I. PIPE, THE CORP. STOP MAY BE TAPPED DIRECTLY INTO THE PIPE.
3. APPROVED BACKFLOW PREVENTION MUST BE INSTALLED WITH IRRIGATION SERVICE PER D.O.H. REQUIREMENTS. IRRIGATION SYSTEM SHALL NOT BE PUT INTO SERVICE UNTIL THE BACKFLOW PREVENTION DEVICE IS APPROVED BY A CITY OF BELLEVUE WATER QUALITY TECHNICIAN.
4. METER WILL BE SUPPLIED AND INSTALLED BY THE CITY OF BELLEVUE.



JANUARY 2025

NO SCALE



City of Bellevue

WATER UTILITY

TITLE

1" x 1" WATER SERVICE  
(HORIZONTAL METER SETTER)

NO. W-23