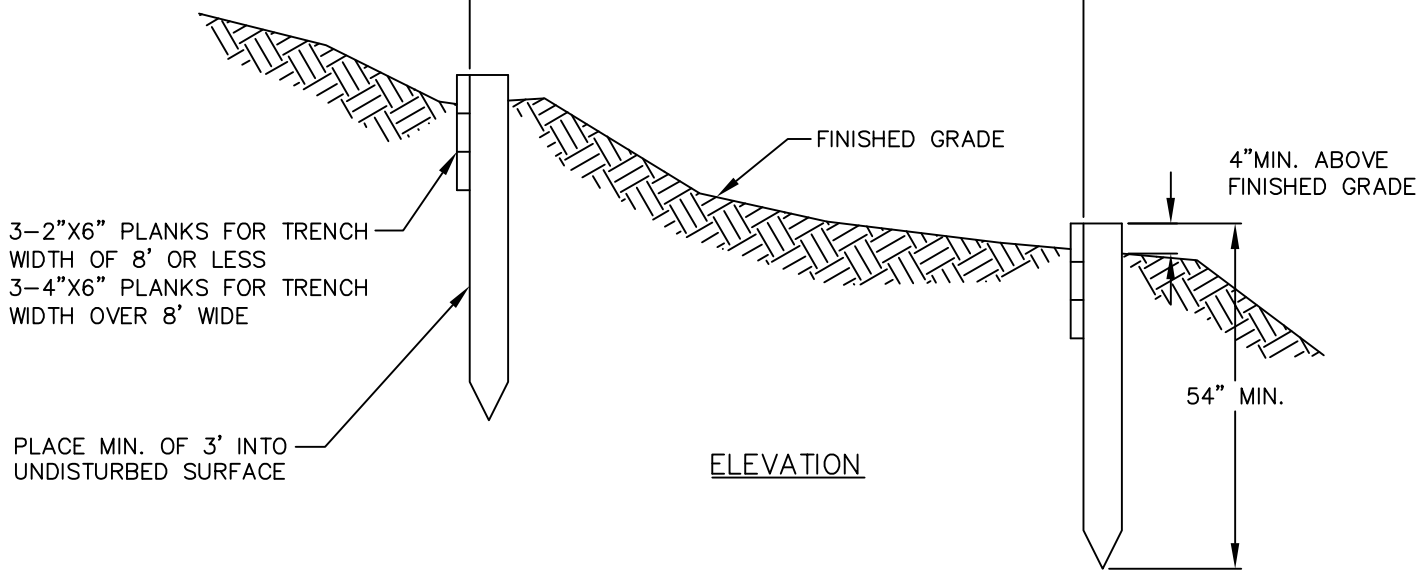
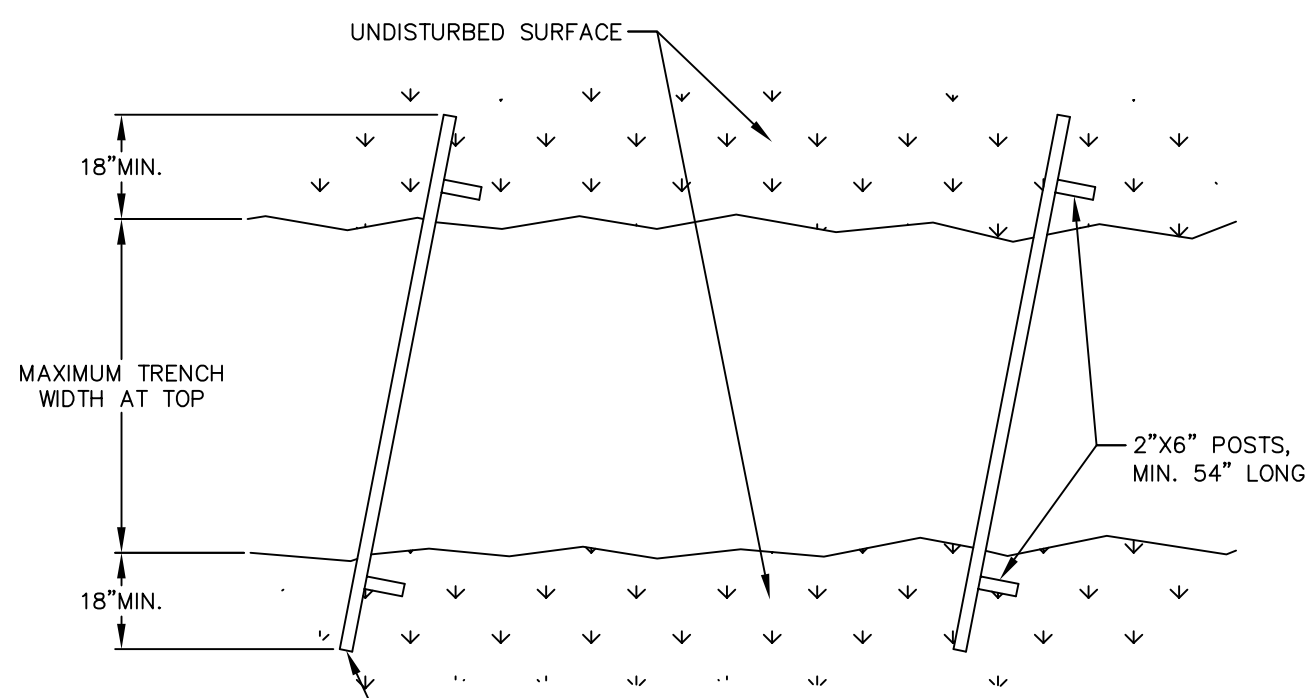


SPACING AS REQUIRED  
BY ENGINEER



ELEVATION



PLAN

ONLY TOP PLANK TO EXTEND  
FULL DISTANCE AS SHOWN



City of  
Bellevue

SEWER UTILITIES

TITLE

TIMBER BAFFLE/HILL HOLDER