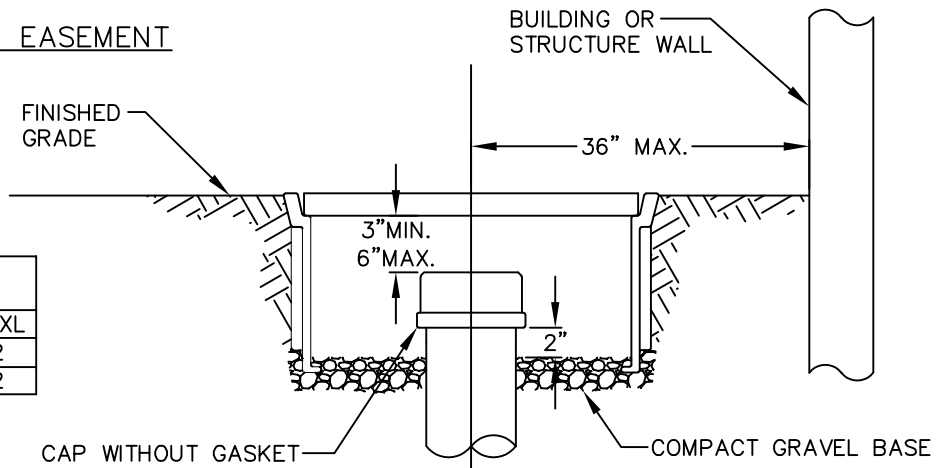
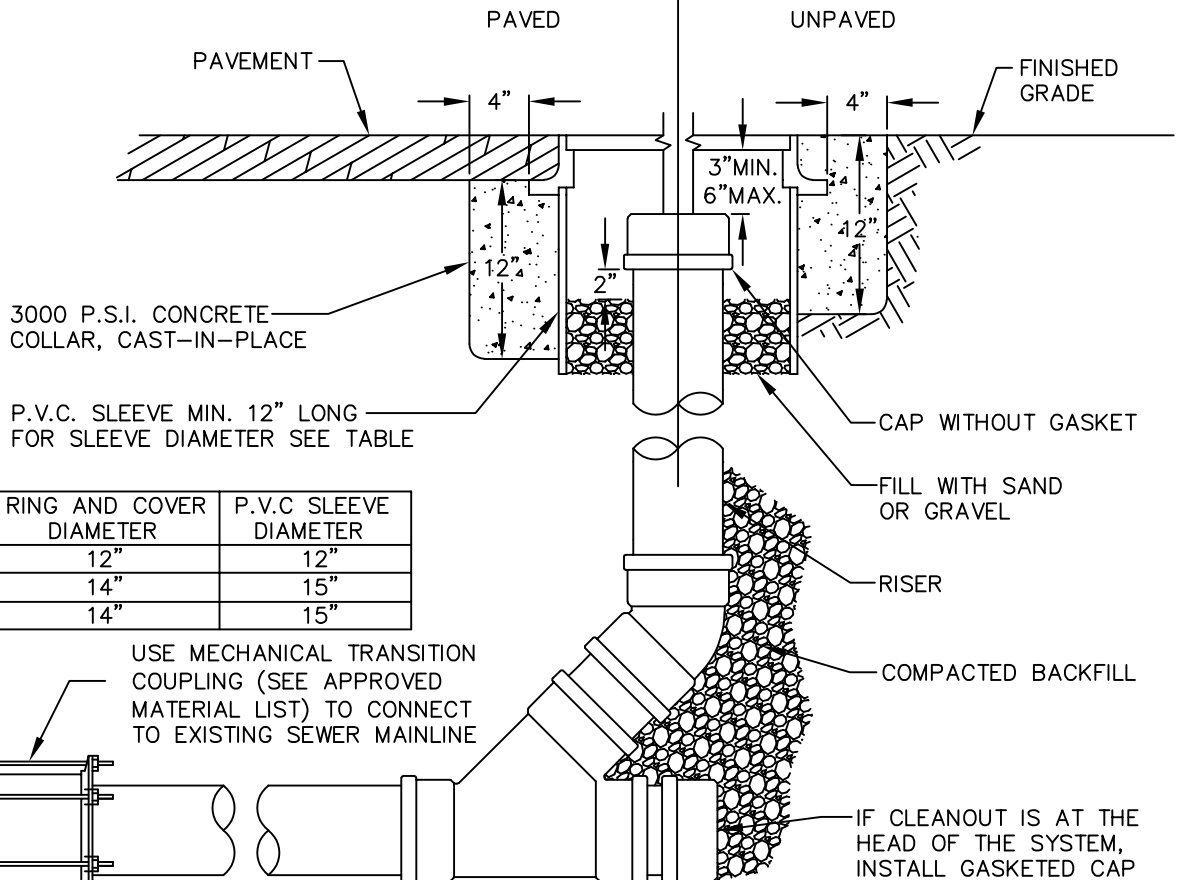


OUTSIDE OF R.O.W OR EASEMENT

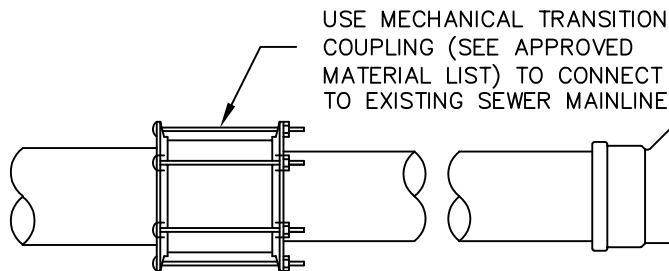
| C.O. PIPE DIAMETER | MID-STATES PLASTIC BOX |
|--------------------|------------------------|
| 4" | MSBCF-1118-12XL |
| 6" | MSBCF-1324-12 |
| 8" | MSBCF-1730-12 |



RIGHT-OF-WAY OR EASEMENT



| C.O. PIPE DIAMETER | RING AND COVER DIAMETER | P.V.C SLEEVE DIAMETER |
|--------------------|-------------------------|-----------------------|
| 4" | 12" | 12" |
| 6" | 14" | 15" |
| 8" | 14" | 15" |



NOTES:

1. BOLT-LOCKING CAST IRON RING AND COVER SHALL BE USED IN RIGHT-OF-WAY AND EASEMENTS AND MUST BE RATED HS-20 IF USED IN PAVED AREAS. SEE TABLE FOR SIZES.
2. MID-STATES PLASTIC BOX OR EQUAL MAY BE USED IF C.O. IS OUTSIDE OF RIGHT-OF-WAY OR EASEMENT. SEE TABLE FOR SIZES. THE COVER FOR THE PLASTIC BOX SHALL BE DUCTILE IRON AND READ "SEWER" OR BE BLANK (NO LABEL).
3. CAST IRON COVER SHALL READ "SEWER, CO, OR "DO NOT BURY".
4. LOCKING BOLTS SHALL BE 5/8"-11 N.C. 304 STAINLESS STEEL SOCKET (ALLEN) HEAD, 2" LONG.
5. 14" BOLT-LOCKING CAST IRON COVER SHALL BE EQUAL TO INLAND FOUNDRY NUMBER 209, OR 210.
6. SPECIAL "DECORATIVE" CASTING MAY BE USED IF PREAPPROVED BY CITY.
7. CLEANOUTS FOR DRAINS THAT PASS THROUGH A BACKWATER VALVE SHALL BE CLEARLY IDENTIFIED WITH A PERMANENT LABEL STATING "BACKWATER VALVE DOWNSTREAM".



City of Bellevue

SEWER UTILITIES

TITLE

CLEANOUT TO GRADE