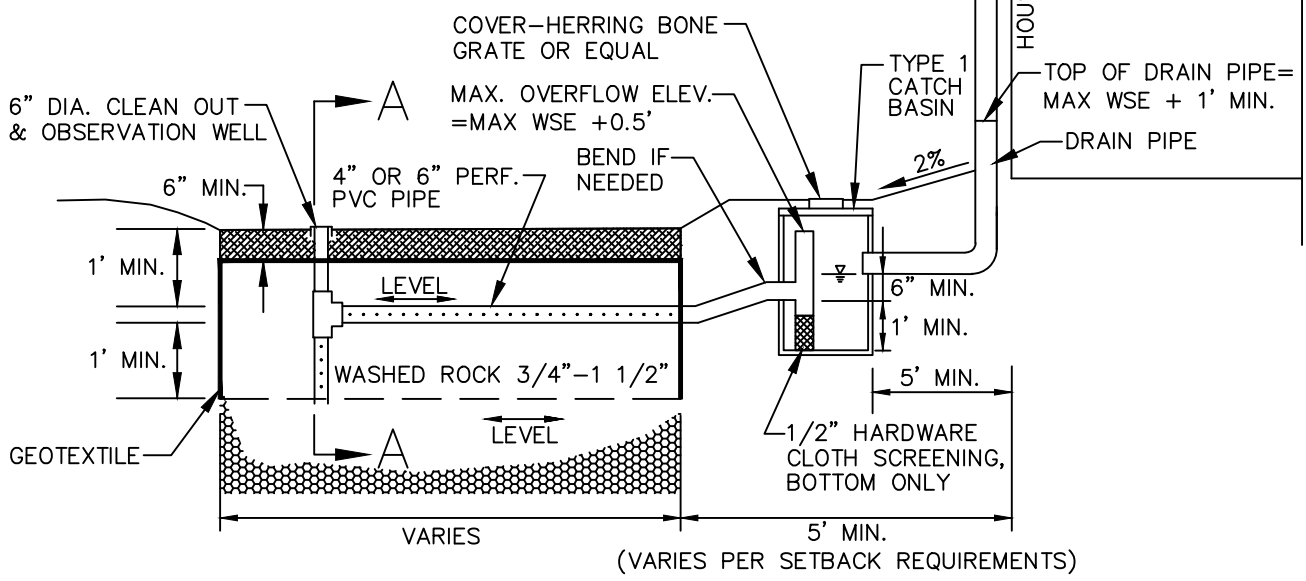
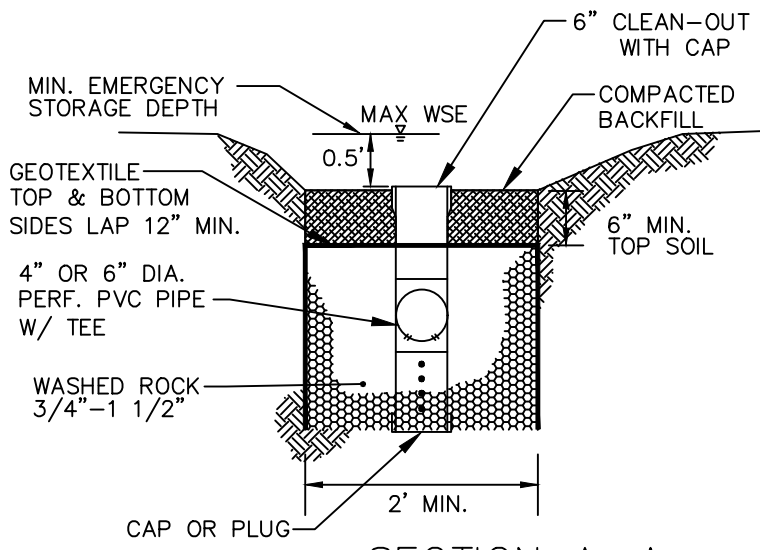


PLAN VIEW
NO SCALE



PROFILE VIEW
NO SCALE



SECTION A-A
NO SCALE

- NOTES:**
1. TRENCH SHALL NOT BE LOCATED WITHIN 100' OF A WELL OR 30' FROM ANY PART OF A SEPTIC SYSTEM.
 2. CENTER PERF. PIPE HORIZONTALLY IN TRENCH.
 3. REMOVE SEDIMENT AND FLOATABLES FROM TYPE 1 CATCH BASIN AT LEAST ANNUALLY.

City of Bellevue

STORM AND SURFACE WATER UTILITY

TITLE

ROOF DOWNSPOUT INFILTRATION TRENCH

NO. NDP-23