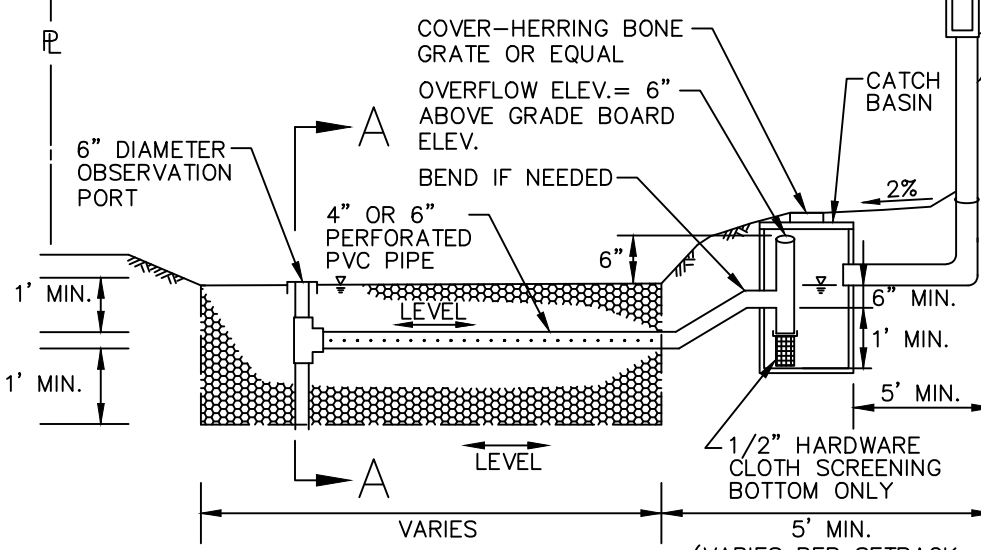


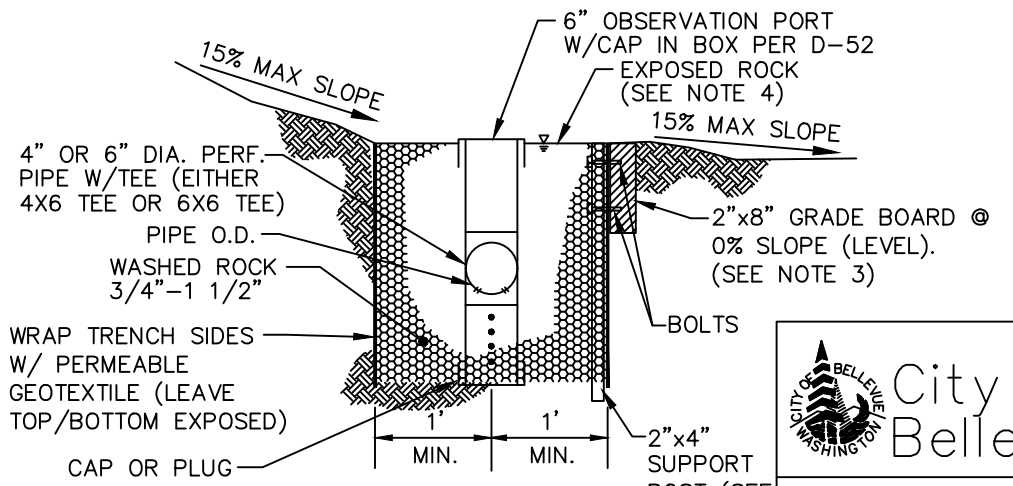
PLAN VIEW

NO SCALE



PROFILE VIEW

NO SCALE



SECTION A-A

NO SCALE

NOTES:

1. TRENCH SHALL NOT BE LOCATED WITHIN 100' OF A WELL OR 10' FROM ANY PART OF A SEPTIC SYSTEM.
2. TRENCH SHALL BE CONSTRUCTED SO AS TO PREVENT CONCENTRATED DISCHARGE AND/OR EROSION.
3. GRADE BOARD & SUPPORT CEDAR OR RECYCLED PLASTIC (UNTREATED). SPACE SUPPORT POSTS EVERY 10' MIN. TO KEEP GRADE BOARD LEVEL.
4. LEAVE ROCK PERMANENTLY EXPOSED. DO NOT COVER.



City of Bellevue

STORM AND SURFACE WATER UTILITY

TITLE

ROOF DOWNSPOUT DISPERSAL TRENCH