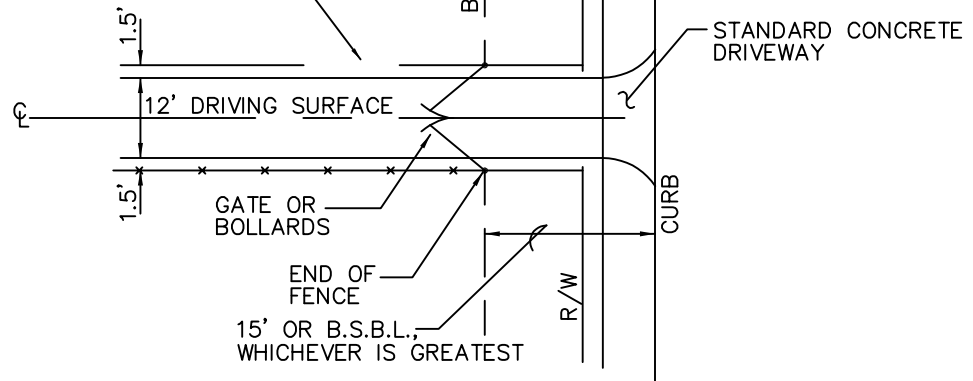
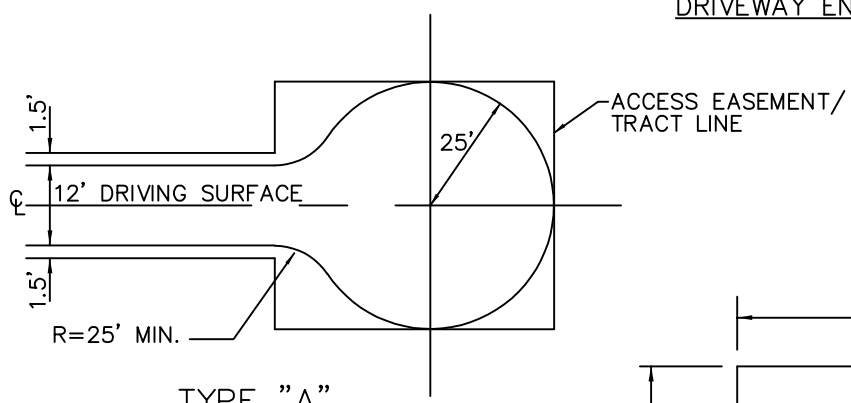


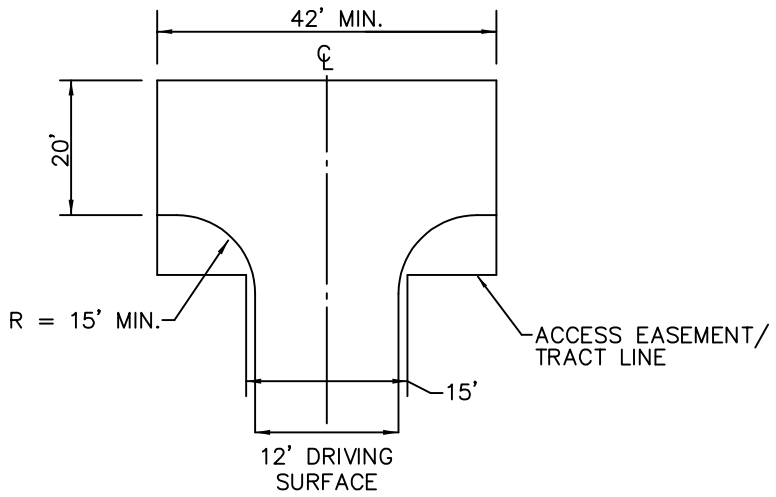
ACCESS EASEMENT/
TRACT LINE



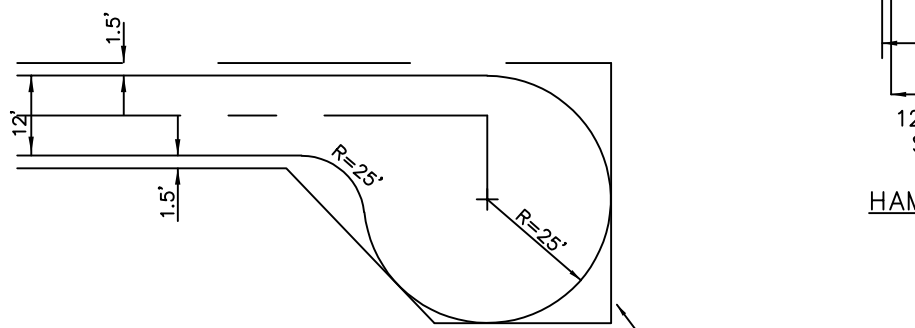
DRIVEWAY ENTRANCE



TYPE "A"
TURNAROUND



HAMMERHEAD



TYPE "B"
TURNAROUND



City of
Bellevue

STORM AND SURFACE
WATER UTILITY

TITLE

DRAINAGE FACILITY
MAINTENANCE ACCESS