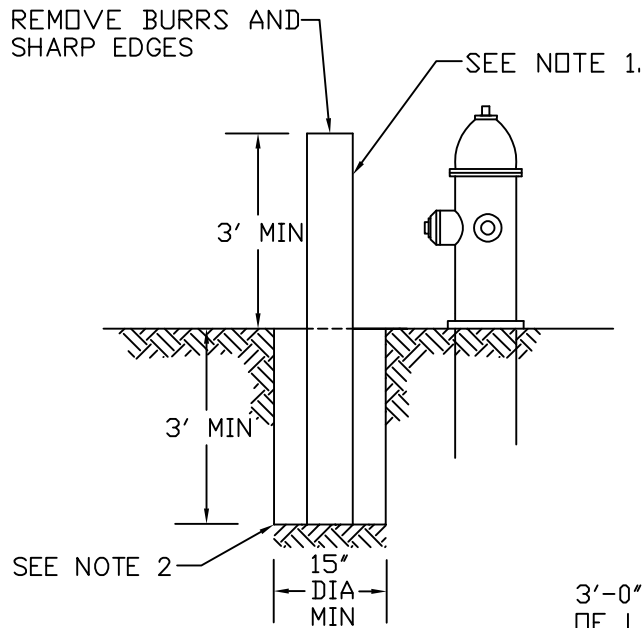
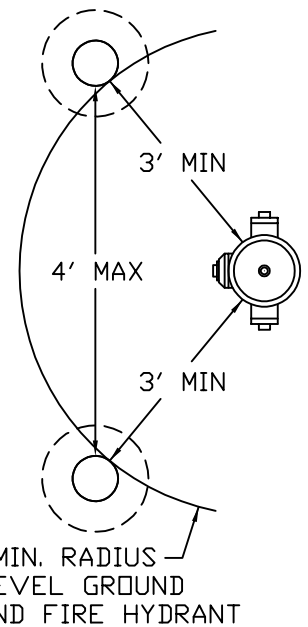


VALVE MARKER POST



ELEVATION



PLAN

FIRE HYDRANT GUARD POST

NOTES:

1. GUARD POST SHALL BE 6" DIAMETER CL.52 D.I. PIPE, A MINIMUM OF 6' LONG, FILLED WITH CONCRETE. PAINT WITH TWO COATS OF "SAFETY YELLOW" RUSTOLEUM, KRYLON, SHERWIN WILLIAMS, OR APPROVED EQUAL.
2. CONCRETE FOOTING SHALL BE NOT LESS THAN 3 FEET DEEP AND NOT LESS THAN 15-INCH DIAMETER.
3. VALVE MARKER POST SHALL BE FROM FOG TITE METER SEAL COMPANY, OR APPROVED EQUAL. PAINT WITH TWO COATS OF RUST-OLEUM, KRYLON, SHERWIN WILLIAMS, OR APPROVED EQUAL HIGH GLOSS WHITE PAINT. PAINT DISTANCE FROM THE VALVE MARKER TO THE VALVE ON THE POST WITH BLACK ENAMEL PAINT.
4. VALVE MARKER POST TO BE USED FOR ALL MAINLINE VALVES OUTSIDE PAVED AREAS.



City of
Bellevue

WATER UTILITY

TITLE

FIRE HYDRANT GUARD POST
& VALVE MARKER POST