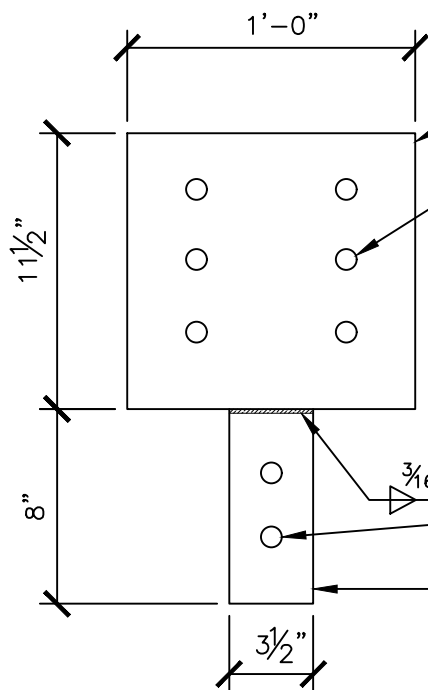
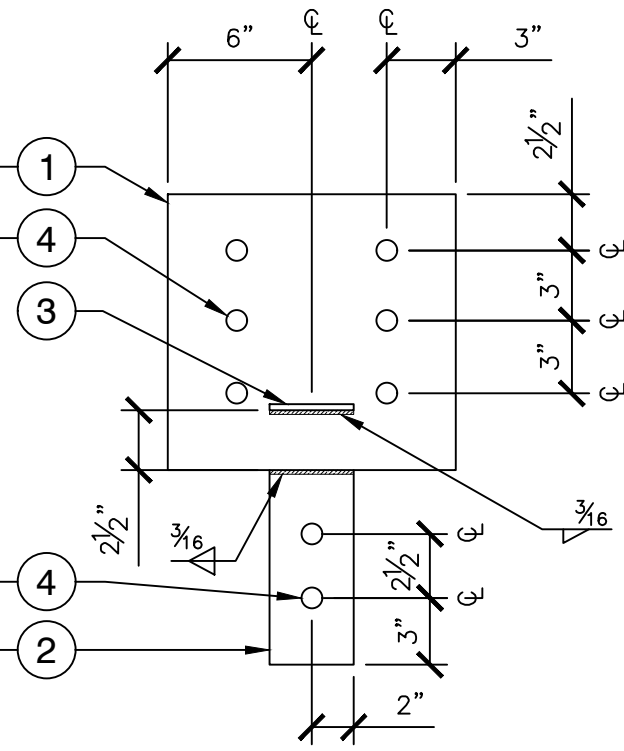


SECTION



OUTSIDE ELEVATION



INSIDE ELEVATION

- ① 1/4" GALV. STEEL PLATE, BENT TO SPECIFIED DIMENSIONS
- ② (2) 1/4"x3"x8" GALV. STEEL PLATE, WELDED TO BENT PLATE
- ③ 1/4"x3 1/2"x3 1/2" GALV. STEEL PLATE, WELDED TO BENT PLATE
- ④ 7/8" DIA. HOLES

NOTES:

- 1. CONNECTOR SHALL BE PREFABRICATED IN A WABO CERTIFIED FABRICATION SHOP. FIELD WELDING WILL NOT BE PERMITTED.
- 2. CONNECTOR SHALL BE HOT DIPPED GALVANIZED FOLLOWING FABRICATION.



City of
Bellevue

TITLE:

TRAIL - FOOTBRIDGE/BOARDWALK - WITH PIN PILE
FOOTINGS - SAFETY RAIL OPTION - CONNECTOR DETAIL

DRAWING #:	PK-TR-09E
SCALE:	N.T.S.
REVISION DATE:	12-2018
DEPARTMENT:	PARKS