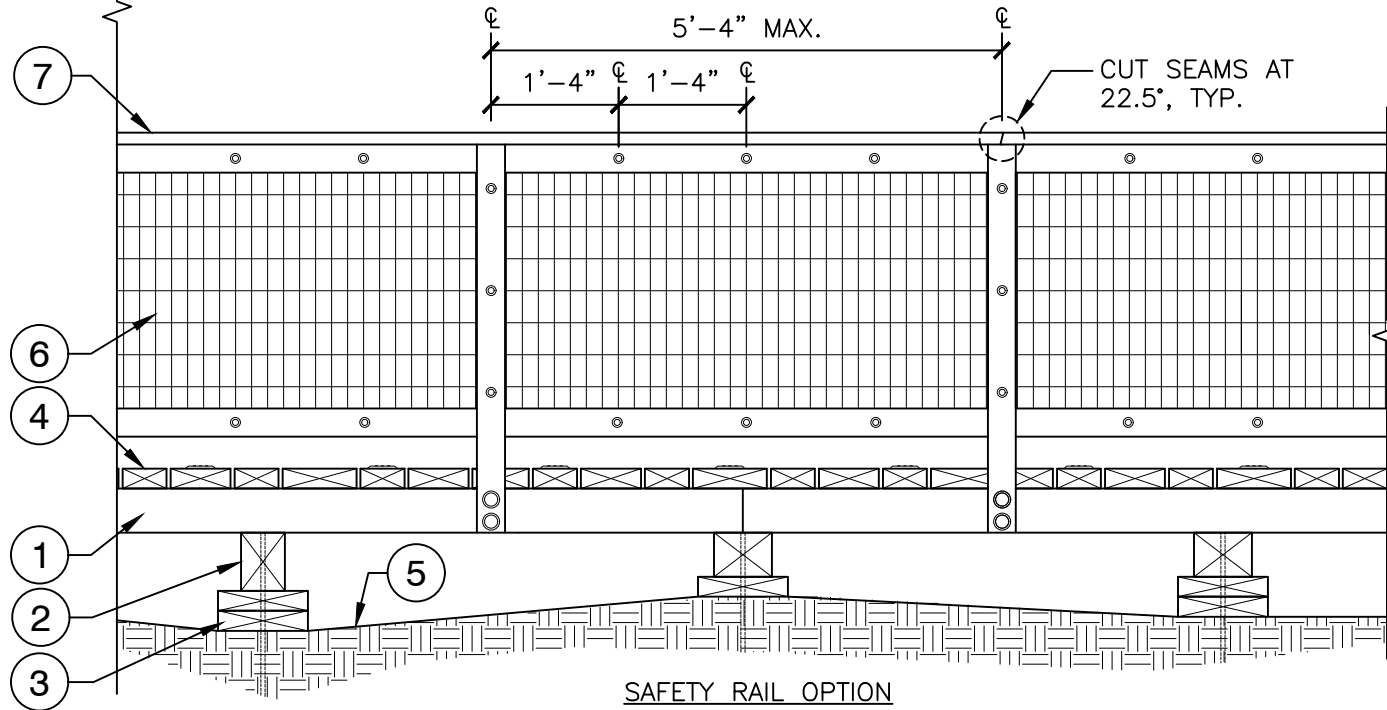


KICK RAIL OPTION

- ① 4x6 JOIST
- ② 6x8 SUPPORT BEAM, LAID FLAT OR ON EDGE AS REQUIRED TO ACHIEVE LEVEL WALKING SURFACE, SEE SECTION
- ③ 3x12 SLEEPER FOOTING LAID FLAT, STACKED AS NECESSARY TO ACHIEVE LEVEL WALKING SURFACE, SEE SECTION
- ④ DECKING WITH NON-SLIP TREADS, SEE PLAN
- ⑤ FINISH GRADE
- ⑥ 4x6 KICK RAIL WITH 2x4 BLOCKING, SEE SECTION
- ⑦ SAFETY RAILING AND POSTS, SEE SECTION



SAFETY RAIL OPTION



City of
Bellevue

TITLE:

**TRAIL - FOOTBRIDGE/BOARDWALK - WITH
SLEEPER FOOTINGS - ELEVATION**

DRAWING #:	PK-TR-08B
SCALE:	N.T.S.
REVISION DATE:	03-2021
DEPARTMENT:	PARKS