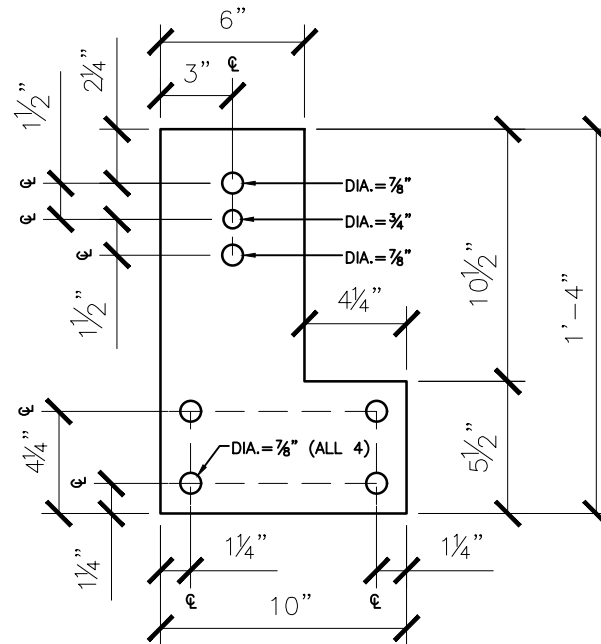


ELEVATION



SIDE PLATE DIMENSIONS

NOTES:

1. SIDE PLATE SHALL BE $\frac{1}{4}$ " HOT DIPPED GALV. STEEL.
2. $\frac{3}{4}$ " HOLES TO RECEIVE $\frac{1}{2}$ " DIA. HEX BOLT FOR RAILING TO POST CONNECTION. $\frac{7}{8}$ " HOLES TO RECEIVE $\frac{3}{4}$ " DIA. LAG BOLTS FOR PLATE TO STAIR TREAD AND POST CONNECTIONS.
3. USE $6\frac{5}{8}$ " LONG LAG BOLTS AT POSTS AND 12" LONG LAG BOLTS AT STAIR TREADS.
4. ALL BOLTS AND ASSOCIATED HARDWARE SHALL BE HOT DIPPED GALVANIZED.



City of
Bellevue

TITLE:

**COAL CREEK NATURAL AREA - TRAIL - TIMBER
STAIRS - RAILING - CONNECTION AT STAIRS**

DRAWING #:	PK-CC-08D
SCALE:	N.T.S.
REVISION DATE:	12-2018
DEPARTMENT:	PARKS